

METALCON RETURNS TO ATLANTA

October-November 2013

METAL ROOFING

\$4.95

www.metalroofingmag.com

MAGAZINE

Volume 12 • Number 6

JUST METAL

UNPAINTED ROOFING
OFFERS BEAUTY, PROFITS

■ METAL VS.
WIND-DRIVEN RAIN

PRODUCT PROFILE:

■ FASTENERS-CLIPS

METAL ROOFING MAGAZINE

Publisher

Scott Tappa

Editorial Director

Debbie Bradley

Senior Editor

Jim Austin

Editor

Sharon Thatcher

Advertising Sales

Kyler Pope

Gary Reichert

Publication Design

Kevin Ulrich

Production Coordinators

Kathy Budsberg

Patti Kirchner

Subscription Services

386-246-3450

Office Phone

715-445-2214

F+W Media, Inc.

Chairman & CEO

David Nussbaum

VP Advertising Sales

David Davel

CFO/COO

James Ogle

EVP eMedia

Chad Phelps

SVP Operations

Phil Graham

Director, IT

Jim Kuster

F+W Media, Inc.

Magazine Division

President

David Blansfield

Metal Roofing: Member of Metal Roofing Alliance, Metal Construction Association.

METAL ROOFING MAGAZINE (ISSN: 1533-8711) (Volume 12, Issue 6) is published seven times annually in February, April, May, June, August, October and December by Krause Publications, a division of F+W Media, INC., 700 East State St., Iola, WI 54990-0001. Periodical postage paid at Iola, Wis., and at additional mailing offices. Canadian Agreement Number: 40665675. POSTMASTER: Send address changes to Metal Roofing Magazine, Circulation Department, PO Box 420235, Palm Coast, FL 32142. Copyright 2013 by F+W Media, Inc. Metal Roofing Magazine and its logo are registered trademarks. Other names and logos referred to or displayed in editorial or advertising content may be trademarked or copyright. Metal Roofing Magazine assumes no responsibility for unsolicited materials sent to it. Publisher and advertisers are not liable for typographical errors that may appear in prices or descriptions in advertisements. Mailed free to roofing contractors and their suppliers throughout North America. Others may subscribe: \$29.98 for 1 year, \$56.98 for 2 years, and \$80.98 for 3 years.



October-November 2013

COVER STORY

Working with unpainted metal roofing

Zinc, copper, terne ... they've been around as long as any roofing material still being used today and roofers are reaping rewards of their benefits and beauty. / 28

Product Feature

Exotic Metals: *Metal Roofing Magazine* presents an updated list of the unpainted metal options you can offer customers. / 46

Product Profile

Fasteners-Clips: An updated look at one of our most essential Product Profiles. / 52

ALSO INSIDE

Metal vs. Mother Nature

Installing metal to battle wind-driven rain. / 14

Departments

- 4 Editor's Page
- 6 Industry News
- 8 Supplier News
- 18 MRA Update
- 60 People
- 63 Calendar
- 64 New Products

On the cover: A residential copper installation by Wells Roofing of Charleston, S.C. *Wells Roofing photo*



Metal Roofing Details

High profile expansion joint: Check out another detail from the National Roofing Contractors Association / 62

Also inside:

METALCON International!

It's not too late to make your travel plans. The metal trade show and conference returns to Atlanta, October 1-3. / 20

Metal Roofing Hall of Fame!

Learn more about this industry lifer. / 26



Online Services

- [Metal Roofing Buyers' Guide](#)
- Subscribe FREE to *Metal Roofing*
- Archived Stories
- Metal Roofing Hall of Fame
- Subscribe to [RooferExpress](#) newsletter

Check out our website @

metalroofingmag.com

e-mail the editor at
jim.austin@fwmedia.com

It's unpainted

Installing bare metal roofs

Options vary from some of the oldest products used for roofing to some new and innovative materials

By Jim Austin, senior editor

Bare metal roofs ... they have nothing to hide. Boasting unmatched longevity and durability as well as an attractive, clean look. Copper, zinc, stainless steel, Galvalume or any other unpainted metal roofing material all have their appeal.

Those who have chosen to fashion and install unpainted metal roofing as their craft, respect the material of choice because, installed correctly, it provides a unique look and low-maintenance, long-lasting peace of



Barrett Roofing photos

mind. Because some of these metals are installed on high-end homes and historical restorations, they can lead to highly profitable jobs — another attractive point.

Some of the unpainted metal roofing materials require training unique to the material. The manufacturers of these materials will certainly offer training to help you and your crews install their products correctly.

Zinc

Barrett Roofing of Danbury Conn., does it all when it comes to roofing, installing metal, including zinc and copper, as well as slate, tile and flat roofing. Ed Gezirjian says zinc and copper can go on anything. “There are a lot of high-end residences that want copper roofing,” he says. “Small entry ways or even as siding. We did a residential job, a house overlooking the Hudson River, we cladded it with Revere Copper’s pre-patinated product (Evergreen).”

Evergreen is copper, coated with a greenish coating to give the appearance of an aged copper product at installation. When the coating wears away, the copper will have begun the patina process and started to show its age.

For those of you intimidated by installing copper or zinc roofing, Gezirjian says you just need to follow the instructions. “With copper you can do almost anything and it won’t fail,” he explains. “If you follow the details in the SMACNA sheet metal guide, you’ll be fine. It’s time tested.

“The different between working with copper and working with zinc is night and day, from the design and installing the metal itself. Zinc can disintegrate in the right conditions.”

Gezirjian says, installed correctly, zinc roofing can last 80 to 100 years and it has “a lot of appeal with architects.” It offers an aesthetically pleasing look throughout its lifespan and works where lead-coated copper roofing used to be the accepted norm. Lead-coated copper fell out of favor with architects and installers because of the lead leeching into the ground.

Zinc suppliers RHEINZINK America

and Umicore Building Products (VMZinc) offer thorough and extensive training classes. The No. 1 thing to know about zinc: The manufacturers of zinc roofing all recommend either venting the roof, using zinc panels with a protective coating on the underside or using a drainage layer directly under the roofing to allow moisture to escape. Moisture on the underside of the panels can cause erosion and eventual failure. Also, there are products available to create that venting space between the

deck and the underside of the roofing panel.

Copper

Joe Wells is a copper craftsman and he is old school. Ironically, it was his eventual frustration with school that led him to being a roofer.

“My father, seven uncles, two cousins and a brother were all in the roofing business in Georgia,” Wells says. “I wasn’t going to be a roofer, so I went to Tulsa to go to school. Turns out I didn’t



Photos by RedZapPhoto.com

like school. I had three months left and I quit.”

And he’s never looked back. Wells Roofing in Charleston, S.C., is the premier copper installer along the east coast. Before the economy dipped a few years ago, Wells Roofing was purchasing 70-90 tons a copper every year. It was used for roofing, decorative facades, gutters, countertops. Wells has copper on his house, his barn, his garage and his pump house.

“You have to understand thermal shock,” Wells says. “Zinc will move almost twice as much as copper and you really have to accommodate for that thermal shock. When I stand outside on a hot summer day and a cool shower comes through, I can hear the (copper) roof pop from the thermal shock, the expansion and contraction.”

Wells believes there is only one correct way to install copper. “We do it the way they were doing it 150 years ago,” he says. “It’s pre-pinned, hand-seamed and soldered. The longevity offered by copper ... we’re not depending on caulking.”

And Wells’ installs have stood up to the toughest east coast hurricanes. He did receive a call after Hurricane Hugo in 1989 from a customer out on the island who couldn’t find his porch roof after the storm went through. After a little investigating, he found it two blocks away — still attached to the porch that blew off the house!

In addition to copper, Wells Roofing installs slate and tile roofing. Most of the work is on high-end homes or historical restoration. Wells has worked on buildings more than 200 years old, some which are almost 300 years old. He respects the history as well as the copper he works with.

“I’m attracted to the longevity copper offers and I like to say it starts out shiny like a penny and turns green like a dollar,” Wells says, admitting that these jobs can be profitable. Wells Roofing paid its dues.

“You learn by your mistakes and we made a lot of mistakes through the years and learned a lot,” he says. “I’m not boasting in any way, but no one



Butler Manufacturing photo



Istuea Roofing photo



Istuea Roofing photo

provides the quality of workmanship we do. We do copper like some crews do (asphalt) shingles. It's second nature."

Wells, who has fought to keep his operation small, employees 16-18 men, some who have been with him for as long as 33 years; many more than 20 years. Long-time employees and long-lasting products.

Galvalume (Mill Finish)

Bare Galvalume or mill finish roofing has its place. Sometimes, you just can't see it.

Galvalume, developed at Bethlehem Steel in the 1960s, is a surface coating applied to steel coil that contains 55 percent aluminum, about 1.5 percent silicon and about 43.5 percent zinc. Its major benefit is its self-healing ability. It combines the anodic sacrificial protection offered by zinc with the barrier protection of aluminum.

"It's mostly installed in low-slope applications, big box buildings, distribution warehouses and factories,"

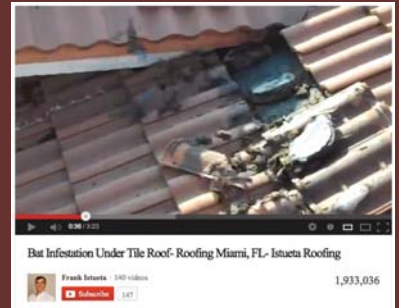
Istueta Roofing runs into bat colony

You never know what you're going to run into when you tear off an old roof. Istueta Roofing was tearing off an old clay tile residential roof in south Florida with the intent of replacing it with a Galvalume standing seam roof.

When you watch the video Istueta Roofing posted on YouTube, it's difficult to estimate how many bats were nestled under the tiles.

You can see the video, which has been viewed almost 2 millions times, at:

<http://www.youtube.com/watch?v=Oc8ACBwlyE>



says Rodger Russ, North American sales manager, roofing at Butler Manufacturing. "It's being installed on buildings 5,000 to 10,000 square feet and on distribution warehouses in excess of a million square feet."

You'd think you notice all that roofing, but because it's installed on these low-slope buildings — Russ says as low as 1/4:12 — it's pretty much impossible

to see from the ground. And that's part of the attraction for these projects.

"If no one is going to see it, it doesn't have to be painted, so it's more economical," Russ says. "Designers will want a painted roof for anything with a slope of 2:12 or greater."

Russ says Butler Manufacturing started installing unpainted Galvalume more than 40 years ago and that roof-

Everlast Metals

PREMIER SUPPLIER OF ARCHITECTURAL ROOFING AND SIDING

10
YEAR
WEATHERTIGHT
WARRANTY

15
YEAR
WEATHERTIGHT
WARRANTY

20
YEAR
WEATHERTIGHT
WARRANTY

- Weathertight Warranties
- Offering a Variety of Coil and Flat Sheet
- 24ga, 26ga, 040 Aluminum Painted Trinar or Bare Finishes
- 16oz and 20oz Copper and Zinc Are Also Available
- Quick Turnaround Times Throughout the New England, Mid Atlantic and Mid West to Service Your Needs

INVENTORY

Logistically Located to Meet Your Needs

everlastmetals.com • 1-800-418-5057 • 10 Enterprise Court • Lebanon, PA

METALCON
BOOTH #1835

Circle Reader Service #407

ing is still doing it's job. Almost all of that Galvalume roofing is Butler's MR-24 standing seam roof system or the Butlerib II through-fastened roof system. Both systems are most commonly installed as 24-gauge roofing, but occasionally are installed as 26-gauge products as well as 22-gauge panels in high-wind areas.

Not everyone is trying to hide bare Galvalume. More and more it's being installed in architectural and residential applications. It provides a brighter look and acquires a gray patina in about a year, depending on the climate.

You can see the bare Galvalume roofing in South Florida where Istueta Roofing installs a lot of 24-gauge single lock standing seam mill finish roofing on homes, many as a replacement for tile roofing. It's lighter than the heavy tile product and provides a contemporary look with the Florida architecture, while providing financial benefits for homeowners.

The home pictured on page 32

belongs to a Major League Baseball player.

"With the reflectivity, it helps keep homes cooler and can reduce air conditioning costs by as much as 20 percent, and possibly even more during



Frank Brown Roofing photos

YOU CAN COUNT ON US

At ABC Supply, we're ready and willing to do what's necessary to get your job done..

LOOK TO ABC SUPPLY FOR...

- Order accuracy
- Prompt communication
- On-time delivery
- Hassle-free returns
- Electronic billing
- Marketing support

OUR JOB ISN'T DONE UNTIL YOURS IS...

We do whatever it takes to make your job easier. Take your business to a whole new level with the industry leader. *Experience the ABC Supply difference for yourself.*



Partnering in your success for over 30 years

Roofing | Siding | Windows | Gutter | Tools | Accessories | And More

ABC
Supply Co. inc.
www.abcsupply.com

Circle Reader Service #310

the summer,” says Ariel Istueta, marketing director. “And it’s strong. It has the highest wind resistance you can get in Miami-Dade.”

Istueta purchases its Galvalume product from Metal Master Shop, a DM-ARM member of Drexel Metals’ regional manufacturers.

Frank Istueta, the owner at Istueta Roofing, likes working with the uncoat-

ed Galvalume roofing. “It installs easier and faster than coated metal roofing because you don’t have to be so careful with the panels,” he says. “There’s no coating to scratch or clean up. No coating means it’s very low maintenance, too.”

Stainless Steel

When you’ve been installing all types

of metal roofing for well over 40 years, taking on a new product isn’t so intimidating.

Frank Brown of Frank Brown Roofing in Dallas, installs metal roofing like most people tie their shoes — it’s second nature. So it was no problem when he landed the job of installing the stainless steel roof on Austin Hall at Sam Houston State University. A crew of six to eight worked for more than six weeks to install the InvariMatte stainless steel from Contrarian Metal resources. The panels were fabricated and installed using traditional methods — including soldering — that were true to the period of the building.

“I’ve done roofing my whole life and while it was a lot of work, it turned out well and it’s a good product that should last indefinitely,” Brown says. “It will last the life of any building.”

Alupluzinc

The Dallas City Performance Hall is a 70,000 square foot, 750-seat theater in the City of Dallas Art District. The \$40.5 million facility opened a year ago and is designed for theater, music and dance performances. The building is topped with a dramatic roof made of



Castro Roofing photo

varying ribbon-like forms that mimic the flow of music and sound. The innovative roof design is engineered to meet stringent acoustic and thermal programmatic requirements. The 25,000-square-foot double curve roof utilizes Kalzip Alupluzinc 65/400 continuous panels in varying lengths to form the natural layered wave. Kalzip Alupluzinc has an aluminum base with a natural zinc finish.

“The advantage of working with the

Fix Roof Leaks GUARANTEED

25
YEARS
HISTORY OF SUCCESS



The Only LIQUID
EPDM in the World!

Before



After



Key Benefits

- Waterproofs immediately upon application
- One coat application
- Proven to outlast Elastomerics, Urethanes and acrylics **4 TIMES** longer
- Takes ponding water 365 days a year
- Roller or spray applied

855-281-0940

free
shipping

EPDM coatings

WWW.EPDMCOATINGS.COM

Toll Free: 855-281-0940








Circle Reader Service #585

Kalzip product on this project was that we were able to lay it down without having to curve it," says Juan Rodriguez of Castro Roofing of Texas. "It was right at the limit where we weren't sure if we would have to curve it or not. Kalzip sent us three panels to test and they

didn't kink or oil can like you'd expect steel or Galvalume to do."

Because some panels were up to 305 feet long, the Kalzip panels were manufactured onsite. Rodriguez says the lightweight panels required 22 men on the ground with C clamps and another

22 men on the roof to move the panels into place. A special seamer created a rounded seam as opposed to the traditional 180-degree seam. Kalzip's sound dampening material was added to the roofing assembly for additional acoustic mass.

Kalzip put the Castro Roofing crew through a training course at its own shop in Dallas. "The principles of working with this product are the same as other metals, but some of the details are a little different," Rodriguez says. "This project required some special clips because we installed some special acoustical material under the roofing panels."

For this project, a multi-layered sandwich assembly consisting of structural metal decking, high density acoustic batt insulation, rigid board roofing insulation, Kalzip sound dampening mat, plywood, weather barrier, anti-drumming membrane and zinc coated aluminum panels was used as the acoustic and thermal barrier. All of the



Castro Roofing photo

100% ACRYLIC **EXCELLENT MILDEW RESISTANCE**

SHINGLE SEALER™

RE-GLUES & SECURES
LOOSE SHINGLE GRANULES

5 YEAR
WARRANTY



WATERPROOFING CLEAR PROTECTORANT

RESTORE, EXTEND, PRESERVE and REJUVENATE Your ROOF, Any ROOF

CALL TODAY FOR YOUR FREE SALES & MARKETING KIT!



**NATIONWIDE CHEMICAL
COATING MANUFACTURERS, INC.**
www.nationwidecoatings.com

SARASOTA - FLORIDA



ACREDITED BUSINESS
BBB A+ RATING
Member Since 1997

Over 100 GREEN SAFE PRODUCTS including CERAMIC PAINTS,
ROOF & WALL COATINGS and MANY OTHER QUALITY PRODUCTS

1.800.423.7264 941.753.7500

roofing assembly was applied onsite.

"The trainer knew his stuff and was very helpful. If you do your due diligence on the front end, it will work out," Rodriguez says.

Cold Rolled Steel

While the rest of the metal roofing world is fighting the look of rust, Wilson Roofing Division of Steamboat Springs, Colo., is installing as much cold rolled steel as it can!

Seth Wilson says high-end custom homes are the market for this product which, when treated, leaves a rusty look.

"Most cold rolled steel is 24-gauge metal," Wilson says. It's pretty tough to work with and if you're not used to the heavy gauge, it's hard."

Wilson runs cold rolled coil through his Zimmerman Metals roll former, but he warns you have to keep the machine clean if you use it for other products, like painted Galvalume or aluminum.

"Problems come because cold rolled steel has to be treated with oil and oil

gets on the tooling in the machines," Wilson explains. "This requires breaking down the machine after a few jobs and cleaning out everything completely. Before you can run any new metal in the machine you have to clean it completely otherwise your new metal is

messed up with oil and possibly some rust particulates on your new metal. That doesn't bode well with that 35-year paint warranty your supposed to offer with your new metal roof."

Like all metal roofing, cold rolled steel should be installed on a high-tem-



Wilson Roofing Division photo

The World's BEST Standing Seam Metal Roofing Bracket

Installation of metal roofing has never been so fast, efficient, and comfortable



**We have three bracket designs to fit your needs
Easy one -- handed installation**

Ph: (860) 379-1327

See our video and NEW PRODUCTS at:
our website: **www.metalplusllc.com**



perature underlayment, because temperatures under “rusty roofs get about as hot under a copper roof,” according to Wilson.

What installers have to be careful of is using the proper fasteners. “We use stainless steel clips and screws with all our rusty metal roofs,” Wilson says.

“I haven’t seen it happen yet but I’ve heard galvanized clips will rust straight through and you can imagine what happens next.”

Wilson has been installing 24-gauge rusty roofing for going on 10 years. He says he hasn’t had to replace anything yet due to the deterioration of a panel, a problem you would be more likely to run into if you installed cold rolled steel at 26 gauge. **MR**

FOR MORE INFORMATION

on **Revere Copper**, circle 205; for **RHEINZINK America**, circle 206; for **Umicore Building Products**, circle 207; for **Butler Manufacturing**, circle 208; for **Drexel Metals**, circle 209; for **Contrarian Metal Resources**, circle 210; for **Kalzip**, circle 211; for **Zimmerman Metals**, circle 212 on our Reader Service Card between pages 66 and 67.



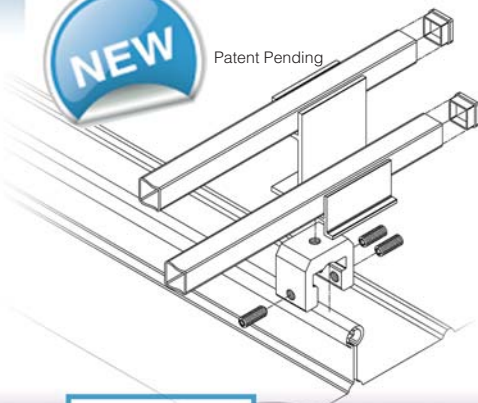
Wilson Roofing Division photo



OFFERING THE ULTIMATE IN SNOW RETENTION FOR CORRUGATED, SHINGLE, MEMBRANE AND STANDING SEAM METAL ROOFS



Patent Pending



NEW 2 BAR SYSTEM



LARGE COLORBRACKET SYSTEM

NEW 2 BAR SNOW RETENTION SYSTEM

- WILL FIT MOST STANDING SEAM ROOF PANELS
- WORKS WITH COLORBAR OR CAN BE PAINTED TO MATCH



SCAN THE QR CODE OR VISIT THE WEBSITE TO SEE MORE DETAILS @ www.SNOBAR.com

The 'Exotics'

UNPAINTED

METALS

PRODUCT FEATURE

There is still an architectural calling for many of the original materials used as metal roofing



American Building Components

— Circle 100

ABC wants your building to give you years of beauty and reliability. Imperial Rib panels are formed from high tensile strength, 29-gauge steel, which is protected with a Galvalume Plus or galvanized coating. Imperial Rib is manufactured for your specific application and is available in cut-to-the-inch lengths. In addition to the Imperial Rib panel, ABC also offers 1-1/4-inch corrugated, 2-1/2-inch corrugated, 5-V, PBC and PBR panels with unpainted substrates.

ATAS International

— Circle 101

ATAS offers many of its roofing profiles in copper and zinc. As a more cost effective option, ATAS provides coatings for aluminum and zinc substrates that resemble these natural metals. Color



options include Copper, Patina Green and Antique Patina.

Cambridge-Lee Industries — Circle 102

Cambridge-Lee, the largest "Made in America" supplier of copper sheets and coils in the U.S., offers a complete line of architectural copper roofing products, including copper roofing sheets cold rolled 12-ounce, 16-ounce, 20-ounce, 24-ounce and 48-ounce in widths of 36 and 48 inches and

lengths of 96 and 120 inches; copper roofing coil in 100-pound coils/soft temper 500-pound coils and up cold rolled; 16-ounce 6- to 24-inch wide in 100-pound coils; 16-ounce in widths 11-7/8 inches, 13-3/34 inches 15 inches 18 inches in 500-pound coils; 16-ounce in widths of 21 and 24 inches in 1,000-pound coils; 16-ounce in 36-inch, 1,500-pound coils; lead-coated sheets in 16- and 20-ounce; and copper nails and copper drainage products.



Contrarian Metal Resources — Circle 103

Contrarian offers an unrivaled selection of decorative architectural finishes in stainless steel, titanium and other metals. InvariMatte is a non-directional, low gloss, uniformly textured stainless steel finish, designed for use in architectural applications. While its lower reflectivity lends itself to roofing applications, it can be applied to wall panels, coping and trim. The superb finish results in excellent matching, has no coatings to deteriorate and will last indefinitely with little maintenance. Contrarian's stainless steel roofing fin-

ishes include InvariMatte as well as its new InZincroMatte finish that offers the beauty of zinc combined with the performance of stainless steel.



Drexel Metals — Circle 104

Drexel Metals offers a complete line of unpainted metal roofing products

that will provide years of lasting performance. Drexel Metals unpainted are available in coil and flats or as fabricated components and include: Drexlume (AZ55 acrylic-coated Galvalume), Zinc (VM Zinc), 16- and 20-ounce copper with the complete Nordic Copper surfaces product line, Stainless Steel in both 2D and 2B finishes, Aluminum — mill finished and clear and bronze anodized and hot dipped galvanized (G90).



Fabral — Circle 105

Fabral offers a diverse selection of roofing profiles, many of which are available in a wide variety of substrates including aluminum, galvanized steel, galvalume, copper and stainless steel. The CopperCraft offering expands to include stock coil and flat sheet, hand-crafted spires, domes, cupolas, dormers and chimney pots.



Kalzip — Circle 106

Kalzip specializes in the international manufacture and supply of tailored metal solutions for building envelopes and is the world's leading aluminium standing seam roofing and wall cladding system. Kalzip is a precision engineered, multi-component system with proven durability, high performance and low maintenance. Innovation, quality, technical capability, experience

THERE WILL ALWAYS BE LEAKS. THEY'LL JUST BE IN OTHER PEOPLE'S ROOFS.

GSSI SEALANTS

METALCON BOOTH #1933

MANUFACTURER OF PREMIER BUTYL SEALANT TAPE GSSISEALANTS.COM

and service are just some of Kalzip's key attributes with the company's extensive research and development activities aimed at continually pushing the boundaries of modern construction capabilities and providing the very best building envelope solution every time.

Ornametals — Circle 107

Ornametals partners with Umicore Building Products to offer the VMZ Dexter and Adeka roofing systems, each available in natural VMZinc, Quartz-Zinc and Anthra-Zinc. For complete roofing systems, Umicore offers two factory-formed systems with concealed fasteners: VMZ Dexter, with a standing seam profile; and VMZ Adeka, used for both roofing and wall-cladding, featuring a textured effect.



Petersen Aluminum — Circle 108

Petersen Aluminum stocks cold rolled copper sheet and coil as well as Stainless Steel in addition to the 38 standard colors on Pac-Clad aluminum and steel. More than 32,000 square feet of 16-ounce copper Snap-Clad panels and 10,000 square feet of copper flat stock were used to meet the design objectives created by HOK Tampa in collaboration with Elliot Marshall Innes Architecture, Tallahassee, Fla.



Premium Panels Inc. — Circle 109

Premium Panels provided both corrugated metal and architectural metal in cold rolled steel as well as Galvalume and A 606. Premium Panels has a complete line of accessories



TOPHAT
enhanced engineering



More Retrofit. Less Money.

Introducing 3 retrofit
metal roof systems.

- ✓ **Strengthening**
- ✓ **Slope Conversion**
- ✓ **Corrugated**

TOPHAT™
MOVING YOUR
RETROFITS FROM
SOLUTION TO SITE

*"I want a strong
versatile product at
a competitive price.
TopHat provides it all."*

Phone: 330-931-9201
Toll Free: 888-459-0421
tophatframing.com



**Call for
ideas and
custom
solutions.**



Revere Copper



“Achieve the architectural look of a standing seam metal roof... at a fraction of the cost!”

EverGuard® Architectural Profiles™ allow you to achieve the look of standing seam metal roofing—using cost-effective TPO membranes.

• **Big Savings...** You achieve the architectural look of a standing seam roof—while conserving precious project dollars.

• **Design Flexibility...** Can be used on a wide variety of roof shapes, colors, sizes, slopes, and curves.

• **Long-Lasting Formulation...**

EverGuard® Profiles™ are made from the same semi-rigid thermoplastic base as EverGuard® membranes for superior compatibility.

• **Quality You Can Trust...** Up to 20 year manufacturer guarantees available.



©2013 GAF 3/13



Circle Reader Service #289

and custom products to go with the three different lines. Premium also stocks a full line of 6-inch half-round gutters and 4-inch round downspouts for the cold rolled and Galvalume lines as well as all accessories that go with them.

Revere Copper — Circle 110

Revere produces copper coil and sheet products specifically designed for architectural applications. Revere offers Bare Classic Copper ASTM B 370, Continental Bronze pre-oxidized brown/bronze copper, Freedom Gray, Independence Gray / TCS II Satin gray Zinc / Tin coated copper and stainless steel and the Liberty Collection of textured copper patterns.

RHEINZINK America

— Circle 111

RHEINZINK coils and sheets are made from a titanium zinc, copper alloy. RHEINZINK complements both traditional and modern architecture. Curvilinear surfaces can be clad with ease due to the material's natural flexibility. RHEINZINK takes pride in its customer support, providing techni-



cal assistance to fabricators and installers. With distributors throughout North America there is no problem with lead-time. RHEINZINK is available in prePatina bright rolled, prePatina blue-grey and prePatina graphite-grey.

Umicore Building Products — Circle 112

Umicore Building Products USA offers architectural zinc roofing panels in a variety of colors that requires no scheduled maintenance. VMZ Dexter and VMZ Adeka roofing systems — each available in Quartz-Zinc and Anthra-Zinc. The elegant pre-weathered grey of Quartz-Zinc is achieved by a factory process that mimics the matt patina that zinc naturally develops over time. Anthra-Zinc is a rich charcoal

black color originally developed for flashing and rainware for slate roofs; architects have come to appreciate the velvety look. VMZ Double lock standing seam panels are available in Quartz-Zinc, Anthra-Zinc and Pigmento. The surface color of Pigmento is created by adding mineral pigments to a durable protective coating, creating organic red, green, blue and brown pre-weathered zincs that do not require any schedule. For complete roofing systems, VMZinc offers two factory-formed systems with concealed fasteners: VMZ Dexter, with a standing seam profile; and VMZ Adeka. VMZ Double lock standing seam panels are rolled formed, and all three systems are used for both roofing and wall-cladding, featuring a textured effect. **MR**



COIL DIVISION

GRABER

G
P
B

POST BUILDINGS INC.

WORKING HARD
FOR YOUR SUCCESS



Graber Post Buildings, Inc.
7716 N. 900 E.
Montgomery, Indiana 47558
800-264-5013
Fax 812-636-4936
www.graberpost.com

GRABER POST is also a '1 STOP SHOP' for all Post Frame Building Material needs and Metal Roofing Products.

We stock over
4000 coils to
accommodate your
immediate demand

COILS



PAINT

Prime prepainted
Galvalume AZ 50
29 and 26 gauge



Warehouse
shipment from Graber
Post or Direct Mill
order and pickup

SHIPPING





Booth
#609